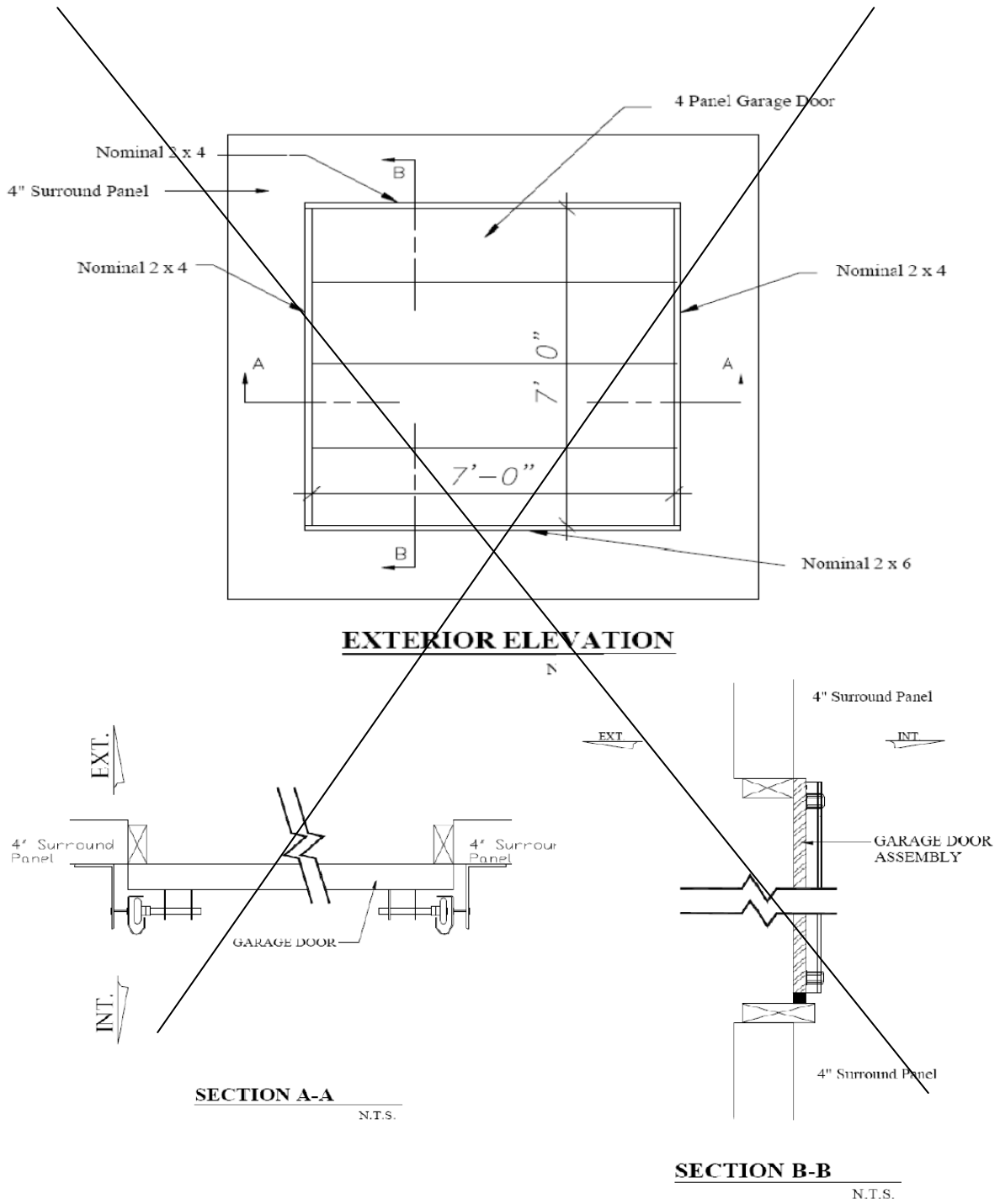
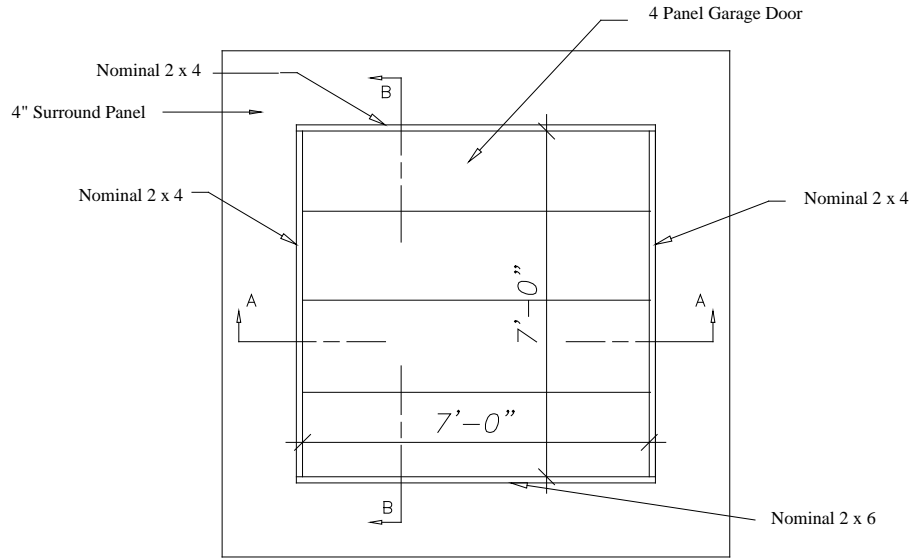


NFRC 100-2010 [E0A2] changes were to revise Figures A5-9 and A5-11

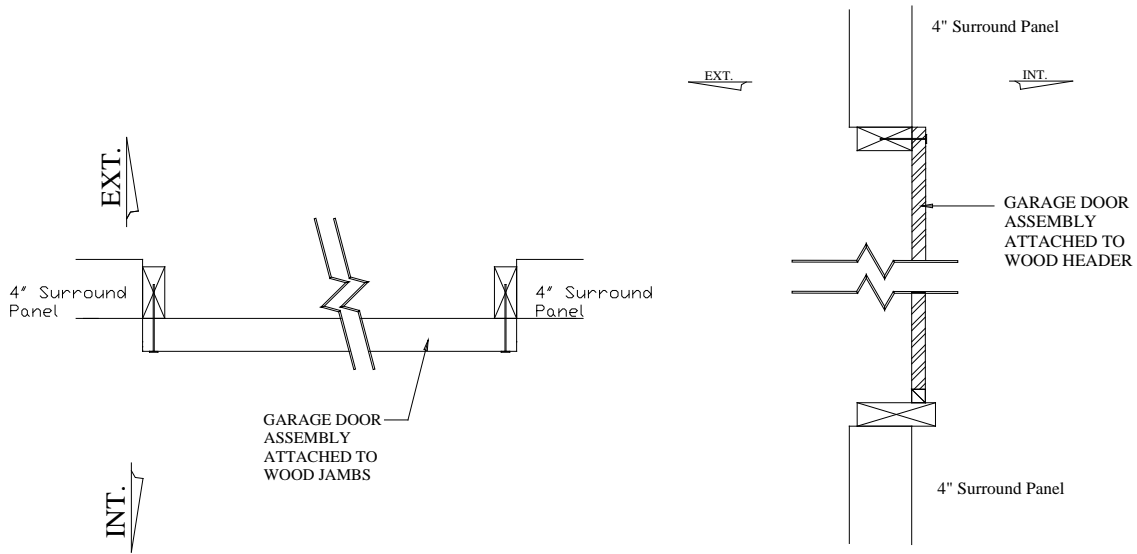
Figure A5-9 -- Garage Door Installation





EXTERIOR ELEVATION

N.T.S.



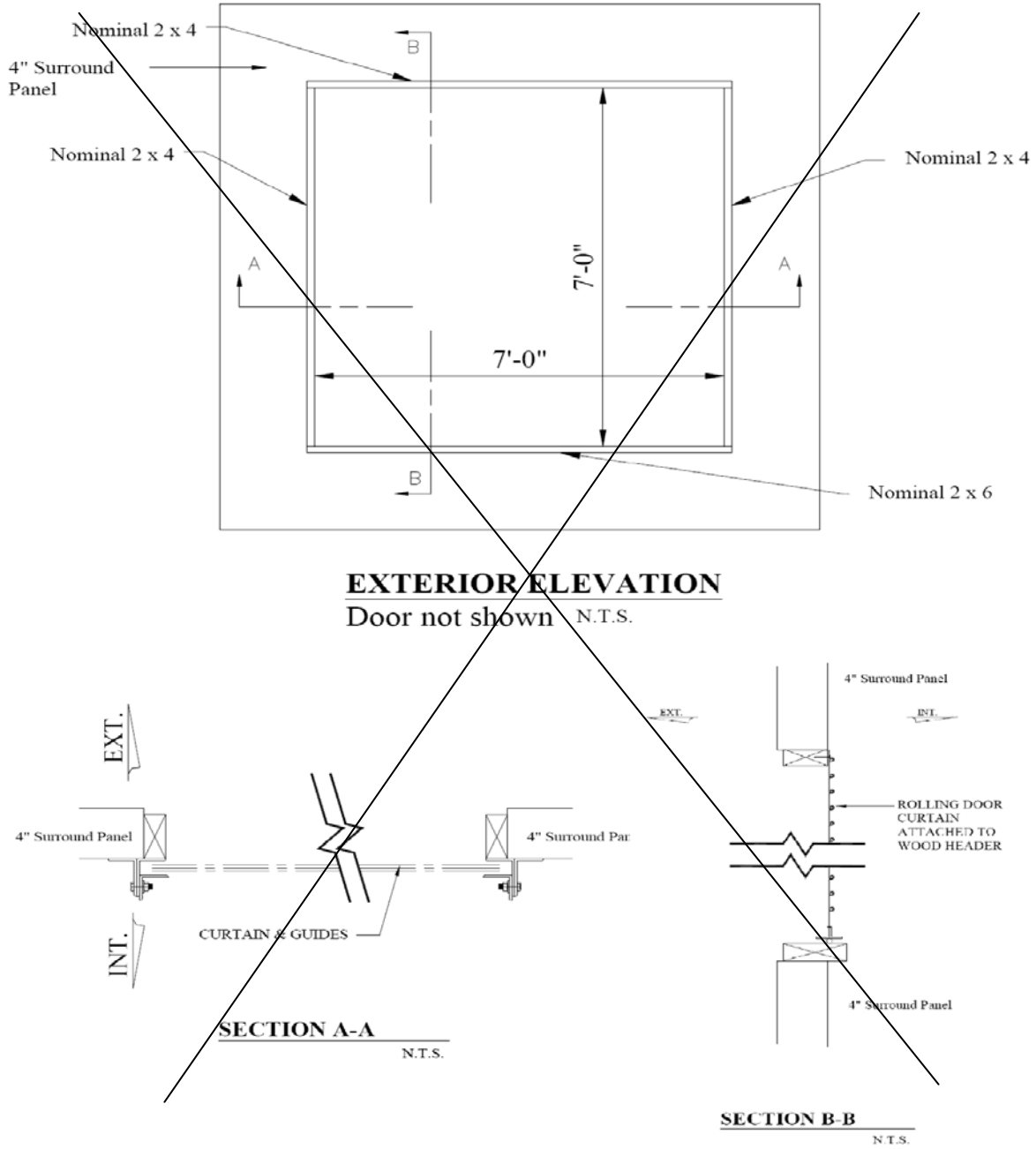
SECTION A-A

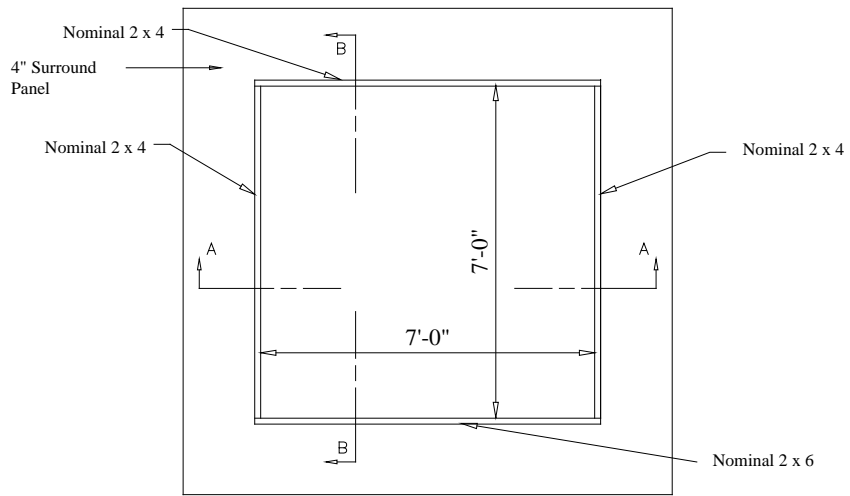
N.T.S.

SECTION B-B

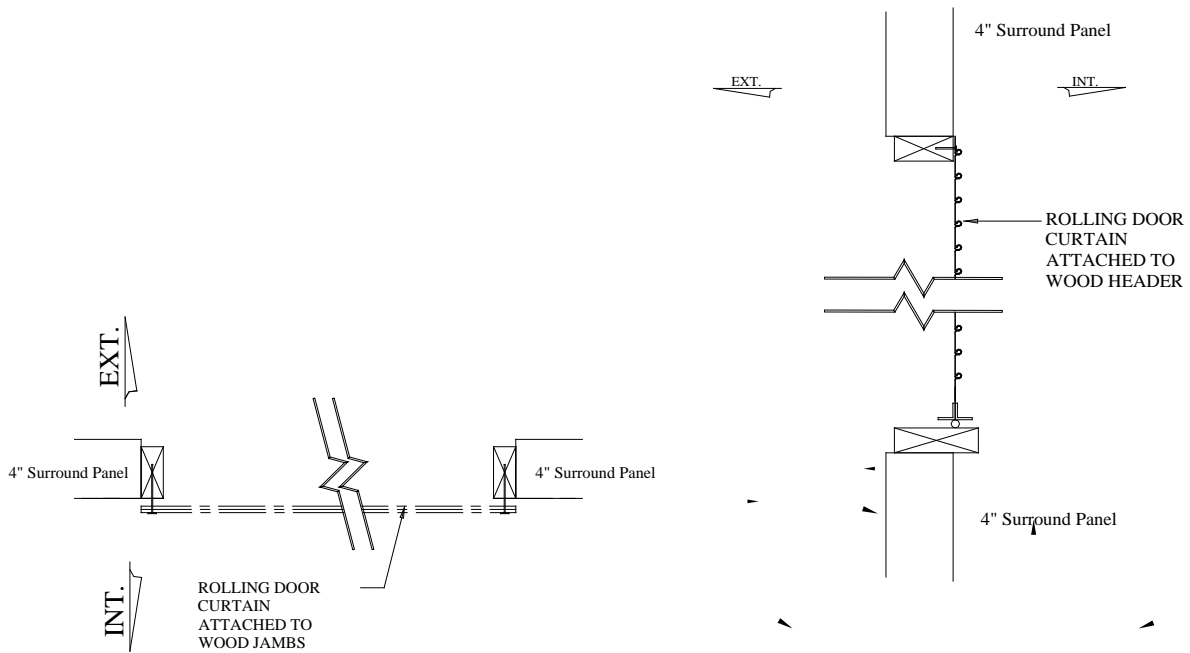
N.T.S.

Figure A5-11 -- Rolling Door Installation





EXTERIOR ELEVATION
 Door not shown N.T.S.



SECTION A-A
 N.T.S.

SECTION B-B
 N.T.S.